

Features

- Loop Start Trunk Interface
- 600 ohm input impedance, -2 variant
- Line state detection outputs: forward loop, reverse loop, ringing voltage, switch hook On-hook reception
- Transformerless 2W to 4W conversion
- One loop start relay driver
- +/- 5V operation
- Small footprint area (<math><4.75\text{cm}^2</math>)

Applications

Interface to Central Office for:

- PABX
- Key Telephone Systems
- Channel Bank
- Voice Mail
- Terminal Equipment
- Digital Loop Carrier
- Optical Multiplexer

ISSUE 2

April 1995

Ordering Information

MH88634-2 21 Pin SIL Package

0°C to 70°C

Description

The Mitel MH88634 Central Office Trunk Interface circuit provides a complete audio and signalling link between audio switching equipment and a central office. The functions provided by the MH88634 include 2-4 Wire conversion, 600 ohm input impedance and network balance. The device is fabricated as a thick film hybrid incorporating various technologies for optimum circuit design and very high reliability.

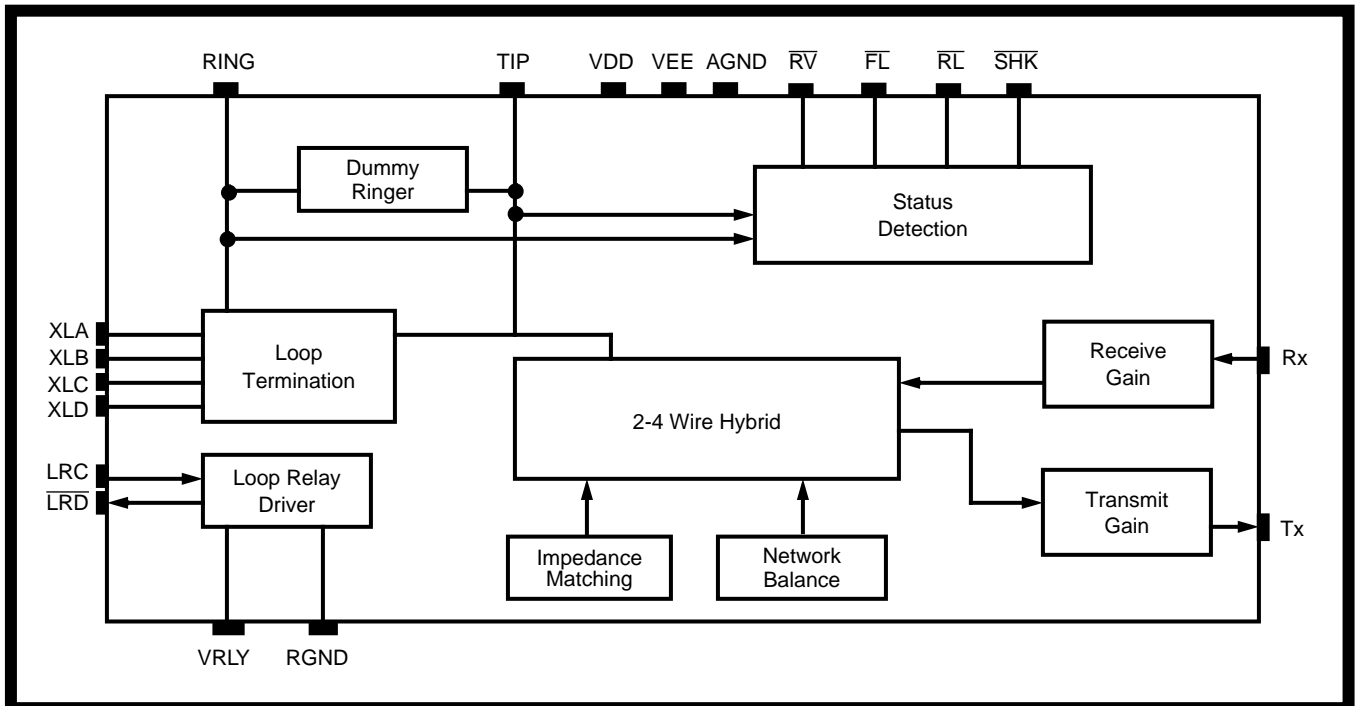


Figure 1 - Functional Block Diagram

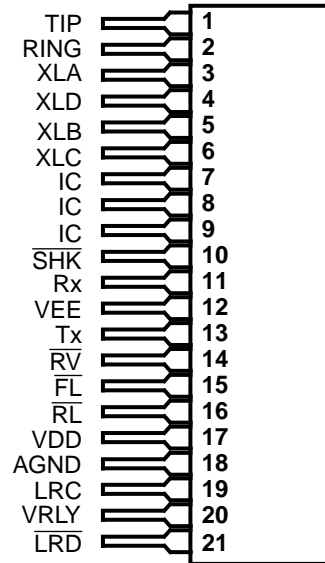


Figure 2 - Pin Connections

Pin Description

Pin #	Name	Description
1	TIP	Tip Lead: Connects to the “Tip” lead of the central office
2	RING	Ring Lead: Connects to the “Ring” lead of the central office
3	XLA	Loop Relay Contact A: Connects to XLB through the Loop relay (K1) contacts when the relay is activated. This operates the internal active termination circuitry.
4	XLD	Loop Relay Contact D: See XLC for description
5	XLB	Loop Relay Contact B: See XLA for description
6	XLC	Loop Relay Contact C: Connects to XLD through the loop relay (K1) contacts when the relay is activated. This operates the internal active termination circuitry.
7	IC	Internal Connection: This pin is internally connected and must be left open.
8	IC	Internal Connection.: This pin is internally connected and must be left open.
9	IC	Internal Connection: This pin is internally connected and must be left open.
10	$\overline{\text{SHK}}$	Switch Hook (Output). A logic low indicates either forward or reverse loop current.
11	Rx	Receive (Input): 4-Wire ground (AGND) referenced audio input.
12	VEE	Negative Supply Voltage. -5V
13	Tx	Transmit (Output). 4-Wire ground (AGND) referenced audio output.
14	$\overline{\text{RV}}$	Ring Voltage Detect (Output). A logic low indicates that ringing voltage is across the Tip and Ring leads. Note that this output toggles at the ringing cadence and not at the ringing frequency.
15	$\overline{\text{FL}}$	Forward Loop Detect (Output): In the on-hook state, a logic low output indicates that forward loop battery is present. In the off-hook state, a logic low indicates that forward loop current is present.
16	$\overline{\text{RL}}$	Reverse Loop Detect (Output). In the on-hook state, a logic low output indicates that reverse loop battery is present. In the off-hook state, a logic low output indicates that reverse loop current is present. Reverse loop refers to the Tip lead negative respect to the Ring Lead.
17	VDD	Positive Supply Voltage: +5V

Pin Description (Continued)

Pin #	Name	Description
18	AGND	Analog Ground. 4-wire ground. Connected to system ground
19	LRC	Loop Relay Control (Input): A logic high activates the Loop Relay Driver output ($\overline{\text{LRD}}$). The Loop Relay activates internal circuitry which provides a DC termination across Tip and Ring. Used for line seizure and dial pulsing.
20	VRLY	Relay Positive Supply Voltage. Typically +5V. Connects to the relay coil and the relay supply voltage
21	$\overline{\text{LRD}}$	Loop Relay Drive (Output). Connects to the Loop Relay coil. A logic low activates the relay. An internal clamp diode from VRLY to $\overline{\text{LRD}}$ is provided.

Functional Description

The MH88634 is a COIC (Central Office Interface Circuit) used to interface the Central Office 2-Wire analog trunks. The COIC provides a Loop Start interface function.

Incoming analog (voiceband) signals from the 2-Wire circuit are applied differentially across Tip and Ring the output of which is applied to the 2 to 4 wire converter with a fixed gain to the Tx output.

The outgoing analog signals are applied to Rx. The audio signals undergo 4 to 2 wire conversion with a fixed gain, and are differentially applied to Tip and Ring.

DC Loop Termination

The line is provided with an active DC load termination when a logic high is applied to the LRC (Loop Start Relay) input. The termination is similar to a DC resistance of less than 275 ohms. An external relay is used to activate internal circuitry which switches the termination in and out of the loop. This is used for both seizing the line as well as generating dial pulses.

Supervision Features

The supervision circuitry provides, the signally status outputs. The ringing voltage, forward current, reverse current and switch hook. Ringing Voltage detect - the $\overline{\text{RV}}$ output provides a logic low when ringing voltage is detected. This sector includes a ringing filter which ensures that the output toggles at the ringing cadence and not at the ringing frequency. Typically, this output goes low 50ms after the ringing voltage is

applied and remains low for 50ms after ringing voltage is removed.

Forward loop and reverse loop detect - the $\overline{\text{FL}}$ output provides a logic low when either forward loop battery or forward loop current is detected (ring lead voltage negative with respect to tip lead). The $\overline{\text{RL}}$ output provides a logic low when either reverse loop battery or reverse loop current is detected (tip lead voltage negative with respect to ring lead)

$\overline{\text{SHK}}$ output is active if either forward loop or reverse loop current is detected.

Line Impedance

The input impedance of the MH88634-2 is 600 ohms. The network balance is also set at 600 ohms to maximize the Transhybrid Balance.

Transmit and Receive Gain

Transmit Gain (Tip-Ring) is set at 0dB and Receive Gain (Rx to Tip-Ring) is set at -2dB.

Absolute Maximum Ratings* Voltages are with respect to AGND

	Parameters	Sym	Min	Max	Units
1	DC Supply Voltages	V_{BAT}	0	-60	V
		V_{DD}	-0.3	7	V
		V_{EE}	0.3	-7	V
2	DC Ring Relay Voltage	V_{RLY}	-0.3	7	V
3	Storage Temperature	T_S	-55	+125	°C

* Exceeding these values may cause permanent damage. Functional operation under these conditions is not implied.

Recommended Operating Conditions

	Parameters	Symbol	Min	Typ*	Max	Units	Comments
1	DC Supply Voltages	V_{DD}	4.75	5.0	5.25	V	
		V_{EE}	-4.75	-5.0	-5.25	V	
2	DC Ring Relay Voltage	V_{RLY}		5.0	15	V	
3	Operating Temperature	T_{OP}	0		70	°C	

* Exceeding these values may cause permanent damage. Functional operation under these conditions is not implied.

DC Electrical Characteristics†

		Characteristics	Sym	Min	Typ*	Max	Units	Test Conditions
1		Supply Current	I_{DD}			13	mA	
			I_{EE}			13	mA	
2		Power Consumption	PC			137	mW	V_{BAT} not connected
3	\overline{FL} \overline{RL} \overline{SHK} \overline{RV}	Low Level Output Voltage	V_{OL}	-0.3		0.5	V	$I_{OL} = 4\text{mA}$
		High Level Output Voltage	V_{OH}	3.7		5.25	V	$I_{OH} = 100\mu\text{A}$
4	\overline{LRD}	Sink Current, Relay to V_{DD}	I_{OL}	100			mA	$V_{OL} = 0.35\text{V}$ not continuous
		Clamp Diode Current	I_{CD}	150			mA	
5	LRC	Low Level Input Voltage	V_{IL}			0.8	V	
		High Level Input Voltage	V_{IH}	2.0			V	
6		High Level Input Current	I_{IH}			40	μA	$V_{IH} = 5.0\text{V}$
		Low Level Input Current	V_{IH}			40	μA	

† DC Electrical Characteristics are over recommended operating conditions unless otherwise stated.

* Typical figures are at 25°C with nominally +5V supplies and are for design use only.

Loop Electrical Characteristics*

	Characteristics	Symbol	Min	Typ [†]	Max	Units	Test Conditions
1	Ring Voltage	VR	40	90	110	V _{rms}	
2	Ring Frequency		16	20	33	Hz	
3	Ringer Equivalence Number	REN	0.5	1	2		Dummy ringer is 17K in series with 330nF. Type A ringing
4	Operating Loop Current		16		70	mA	
5	Off-Hook DC Resistance			270	280	Ω	@ 20mA
6	Leakage Current (Tip-Ring to AGND)				10	mA	@ 1000Vac
7	\overline{FL} Threshold Tip-Ring (On-hook) Tip-ring Current (Off-Hook)		+30 +10 †		+40 15	Vdc mA	$\overline{LRC} = 0v$ $\overline{LRC} = 5V$
8	\overline{RL} Threshold Tip-Ring (On-Hook) Tip-Ring (Off-Hook)		-30 -8 †		-40 -15	Vdc mA	$\overline{LRC} = 0v$ $\overline{LRC} = 5V$

* DC Electrical Characteristics are over recommended operating conditions unless otherwise stated.

† Typical figures are at 25°C and are for design aid only.

AC Electrical Characteristics *

	Characteristics	Symbol	Min	Typ [†]	Max	Units	Test Conditions
1	2-wire Input Impedance (-2 variant)	Z _{in}		600		Ω	
2	Return Loss at 2-wire (Z _{in} = Ref = 600)	RL	20			dB	200-3400 Hz
3	Longitudinal to Metallic Balance		58 58 53			dB	200Hz 1000Hz 3.4kHz
4	Transhybrid Loss	THL	20			dB	200-3400Hz
5	Gain (voltage) 2 wire to Tx			0		dB	1024Hz
6	Gain (Voltage) Rx to 2 wire			-2		dB	Spec Freq
7	Input impedance at Rx		10			kΩ	
8	Output impedance at Rx			5		Ω	
9	Signal Overload Level at 2-wire output at Tx		4.0 0.95			dBm Vrms	% THD ≤ 5% Ref 600Ω @ 20mA
10	Total Harmonic Distortion at 2-wire output at Tx	THD			1.0 1.0	% %	Input 0.5V, 1kHz @ Rx Input 0.5V, 1kHz @ Tip-Ring
11	Idle Channel Noise at 2-Wire at Tx	NC		15 15		dBrnC	
12	Power Supply Rejection Ratio at 2-wire and Tx	PSRR					Ripple 0.1V, 1kHz
	V _{DD}		25 dB			dB	
	V _{EE}		25 dB			dB	

* AC Electrical Characteristics are over recommended operating conditions unless otherwise stated.

† Typical figures are at 25°C and are for design aid only.

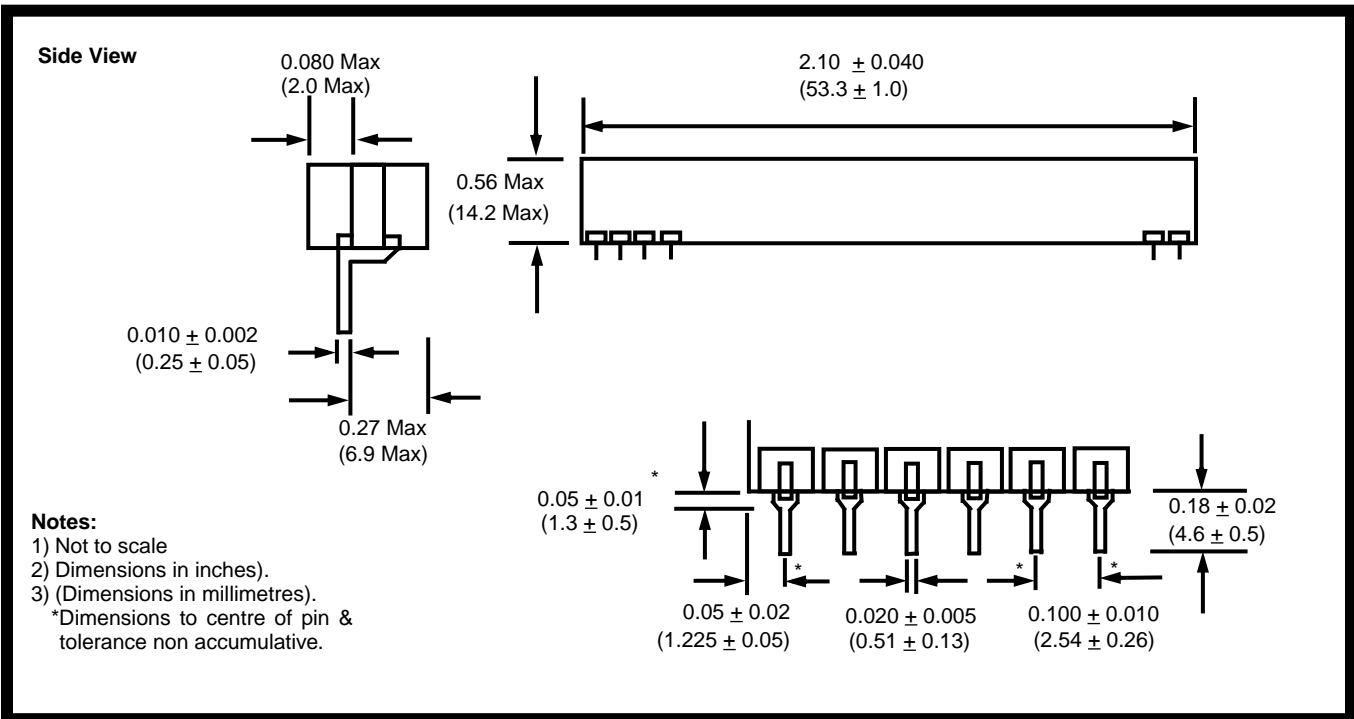


Figure 3 - Mechanical Data

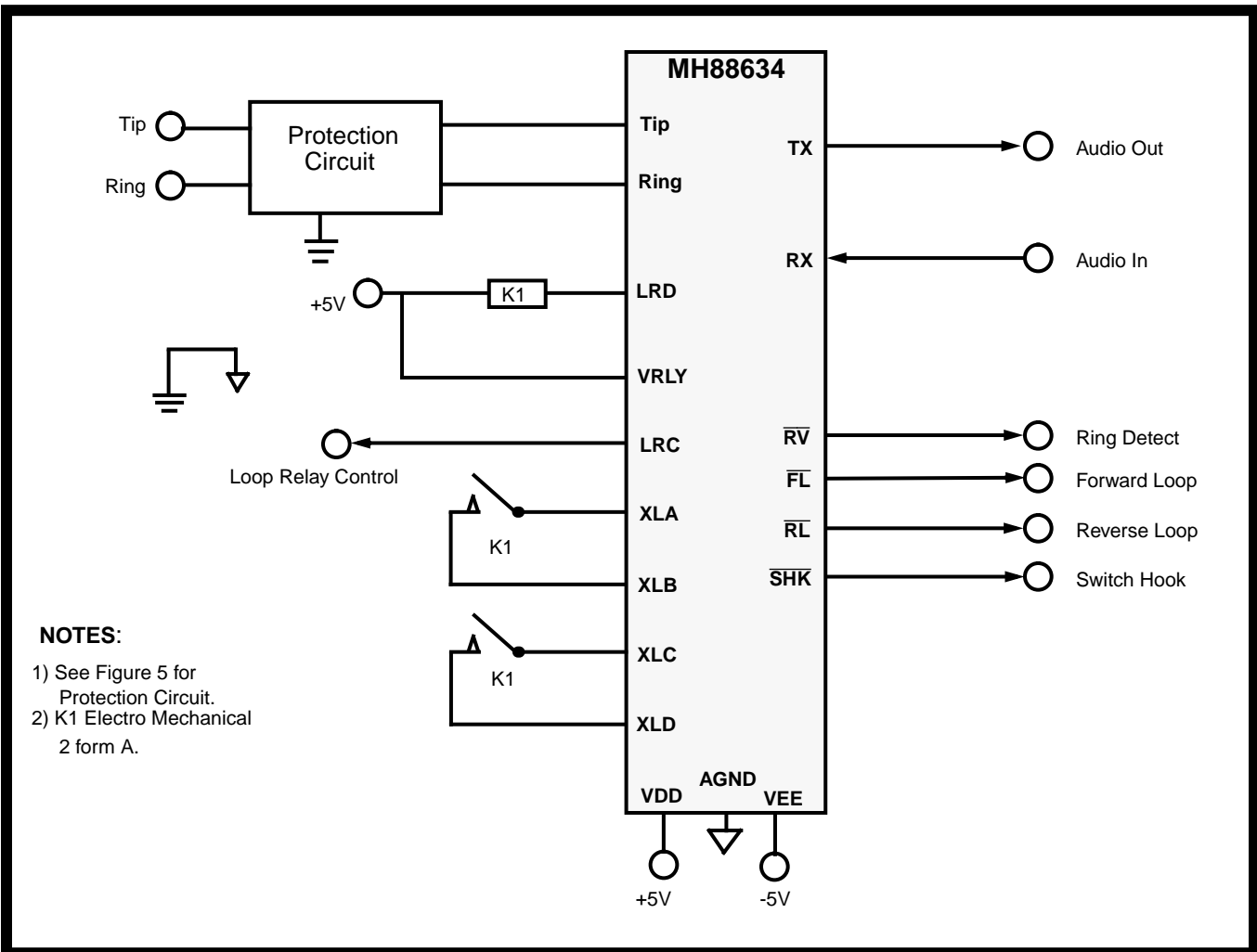


Figure 4 - Typical LS-GS Application Circuit

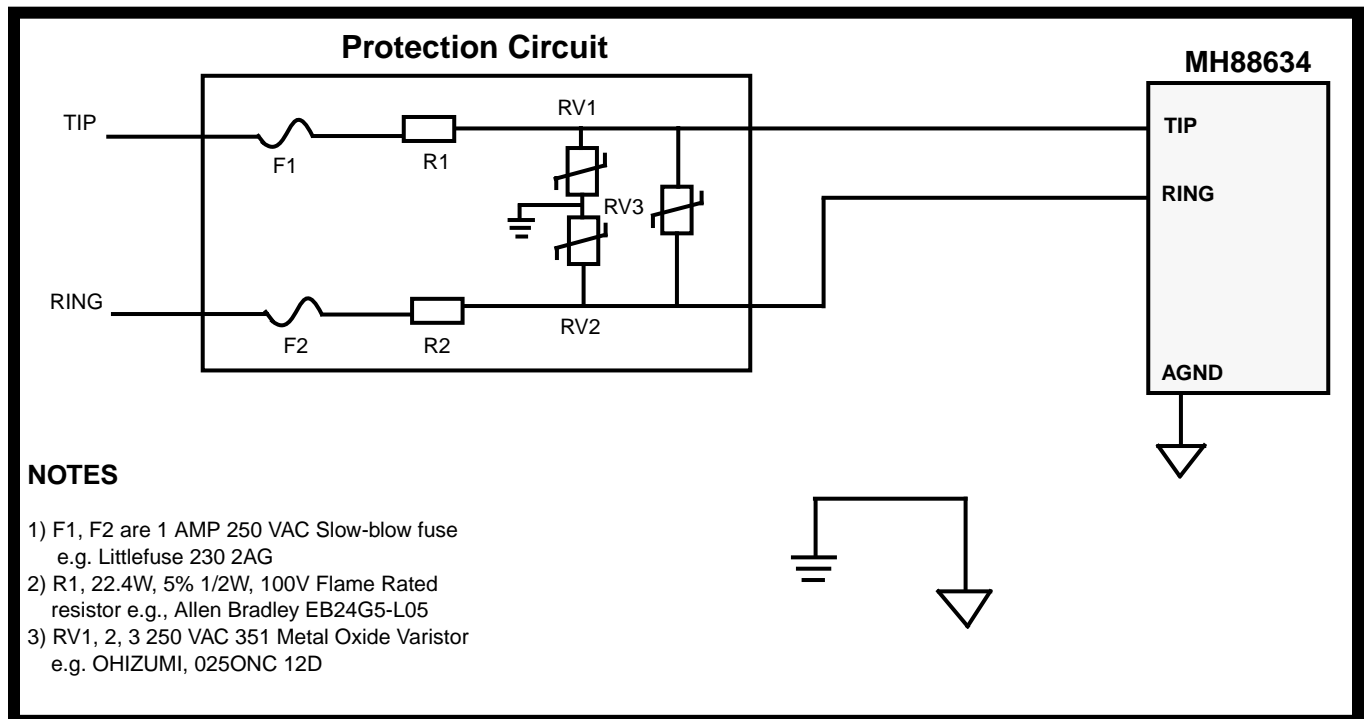


Figure 5 - External Application Circuit

Notes: